

Installation Instructions

3L TripleLock & Click4U

Using a rubber hammer



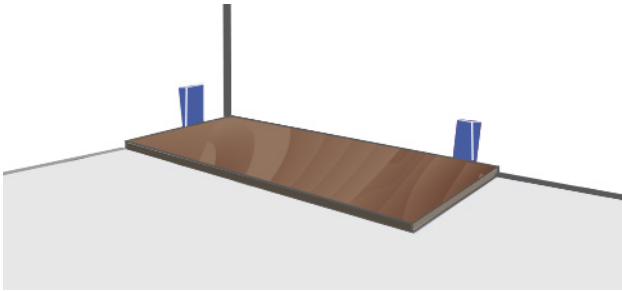
Hydro Step

Luxury Vinyl Flooring

1

SET SPACERS

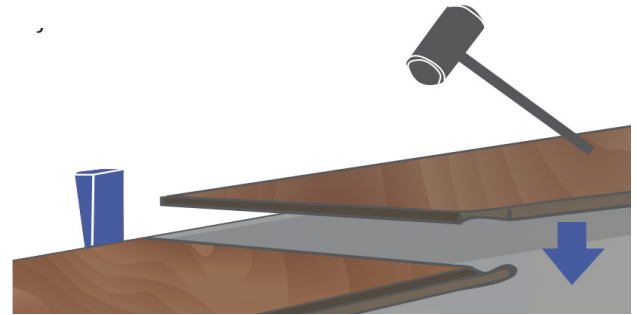
Place spacers equalling the thickness for required expansion gap between plank and wall on short and long ends of plank.



2a

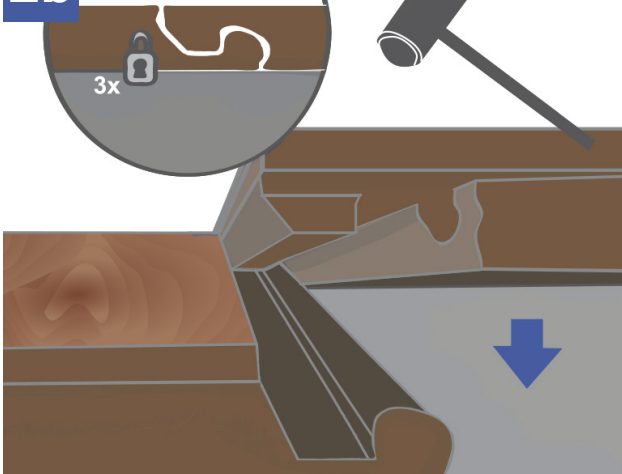
SHORT SIDE

3L TripleLock - One piece drop-lock system.



2b

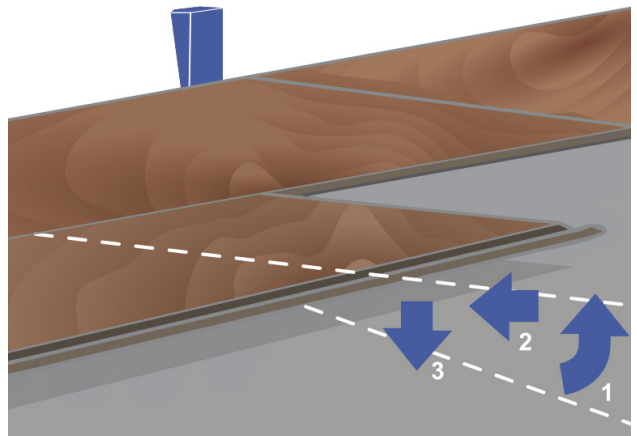
Secure 3x locking



3

LONG SIDE

Click4U - Angle system.



4

ANGLE/DROP-LOCK

Easy Angle/Drop-lock installation

